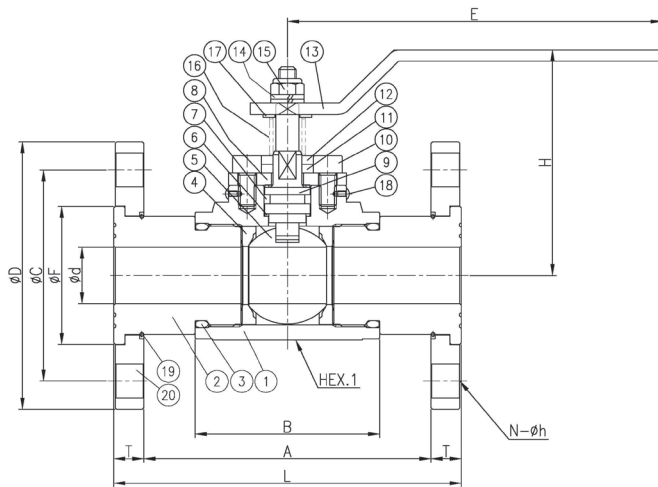
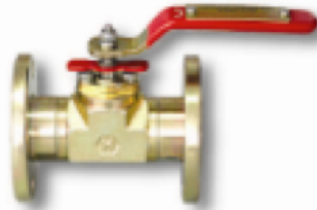


VBWF - 5K series

Swivel Flanged 2-Way Ball Valve(JIS 5K)



No.	Part Name	Material Spec.	
1	Body	S20C	F304
2	Connector	S20C	SUS 304
3	O-Ring	VITON	VITON
4	Seat Ring	PTFE + Glass 15%	
5	Ball	SUS 304	SUS 304
6	Stem Packing	PTFE	PTFE
7	Stem O-Ring	VITON	VITON
8	FLG Cover Plate	S20C	S20C
9	Stem	SUS 304	PTFE
10	Wrench Plug	SUS 304	SUS 304
11	Stopper	S20C	SUS 304
12	Locking Plate	S20C	S20C
13	Lever Handle	SS 400	SS 400
14	Spring Washer	SUS 304	SUS 304
15	Nylon Nut	SUS 304	SUS 304
16	Coil Spring	SS 400	SS 400
17	Washer	SUS 304	SUS 304
18	Rivet	SUS 304	SUS 304
19	Stop Ring	SUS 304	SUS 304
20	Flange	SS 400	SUS 304

■ REFERENCE DIMENSIONS

Unit :mm

Nominal Size	eD	L	A	B	E	F	H	HEX.1	FLANGE			
									eD	eC	T	N-φh
VBWF-5K15A-C	17.0	100.0	81.0	56.0	130.0	44.6	77.0	41.0	80.0	60.0	10.0	4-φ12
VBWF-5K20A-C	20.0	110.0	89.6	64.0	130.0	49.0	80.0	46.0	85.0	65.0	10.5	4-φ12
VBWF-5K25A-C	20.0	120.6	99.6	64.0	130.0	49.0	80.0	46.0	95.0	75.0	10.5	4-φ12

■ Specification

- Nominal Pressure : 5 kgf/Cm²
- Shell Test : 7.5 kgf/Cm²
- Seat Leakage : 5.5 kgf/Cm²
- Maximum Working Temperature : 160°C
- Applicable system : Fuel Oil, Lub Oil, Fresh Water, Steam

■ Ordering Information

Example : VBWF 5K25A -C

① ② ③

- ① : Valve Series , ② : The Pressure of the flange. JIS 5K-25A
- ③ : Material

C : Carbon Steel B : Brass S4 : Stainless Steel 304